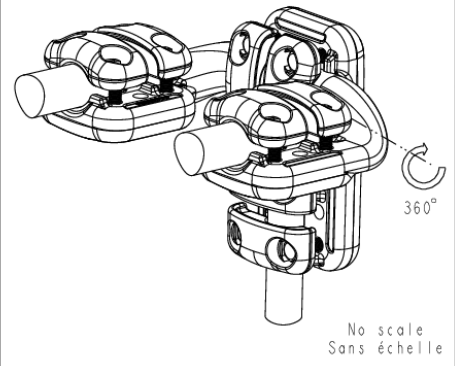
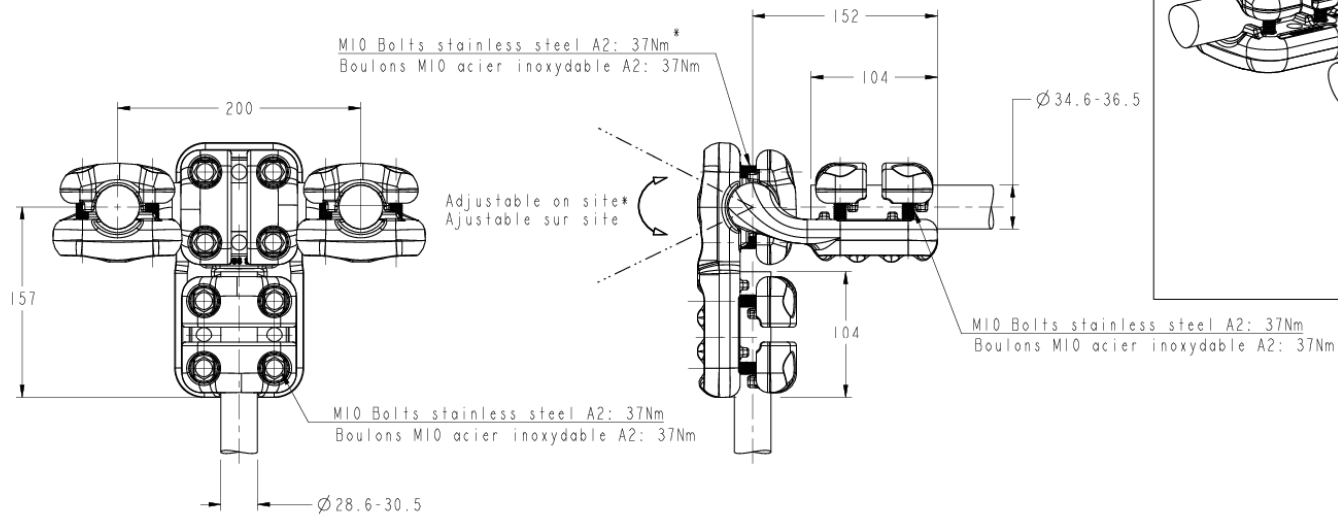


| REVISIONS | | | | | |
|-----------|-----|-------------|-----------|-----|------|
| P | LTR | DESCRIPTION | DATE | DWN | APVD |
| | A | CREATION | 01DEC2022 | SM | CG |
| | | | | | |
| | | | | | |



*
In case of loosening contact surfaces must be cleaned and greased
Refer to installation instruction
En cas de desserrage, les surfaces de contact doivent être nettoyées et graissées
Se référer à la notice d'installation

| | | | | |
|--|--|----------------------------|----------------------------|-----------------|
| THIS DRAWING IS A CONTROLLED DOCUMENT. | | DWN SATYA.M 01DEC2022 | STE TE Connectivity | |
| | | CHK M.PREVOT 01DEC2022 | | |
| | | APVD C.GLOMMEAU 01DEC2022 | NAME ADJUSTABLE CONNECTOR | |
| DIMENSIONS: mm | | PRODUCT SPEC 108-69096-001 | RACCORD ADJUSTABLE | |
| TOLERANCES UNLESS OTHERWISE SPECIFIED: | | APPLICATION SPEC - | 5 CTA 82 F M365 E200 M305 | |
| 0 PLC ±- | | WEIGHT 5.3 kg | SIZE A3 | CAGE CODE 00779 |
| 1 PLC ±- | | CUSTOMER DRAWING | DRAWING NO C=2443358 | RESTRICTED TO - |
| 2 PLC ±- | | | SCALE 3:10 | SHEET 1 OF 1 |
| 3 PLC ±- | | | | REV A |
| 4 PLC ±- | | | | |
| ANGLES ±- | | | | |
| FINISH - | | | | |